

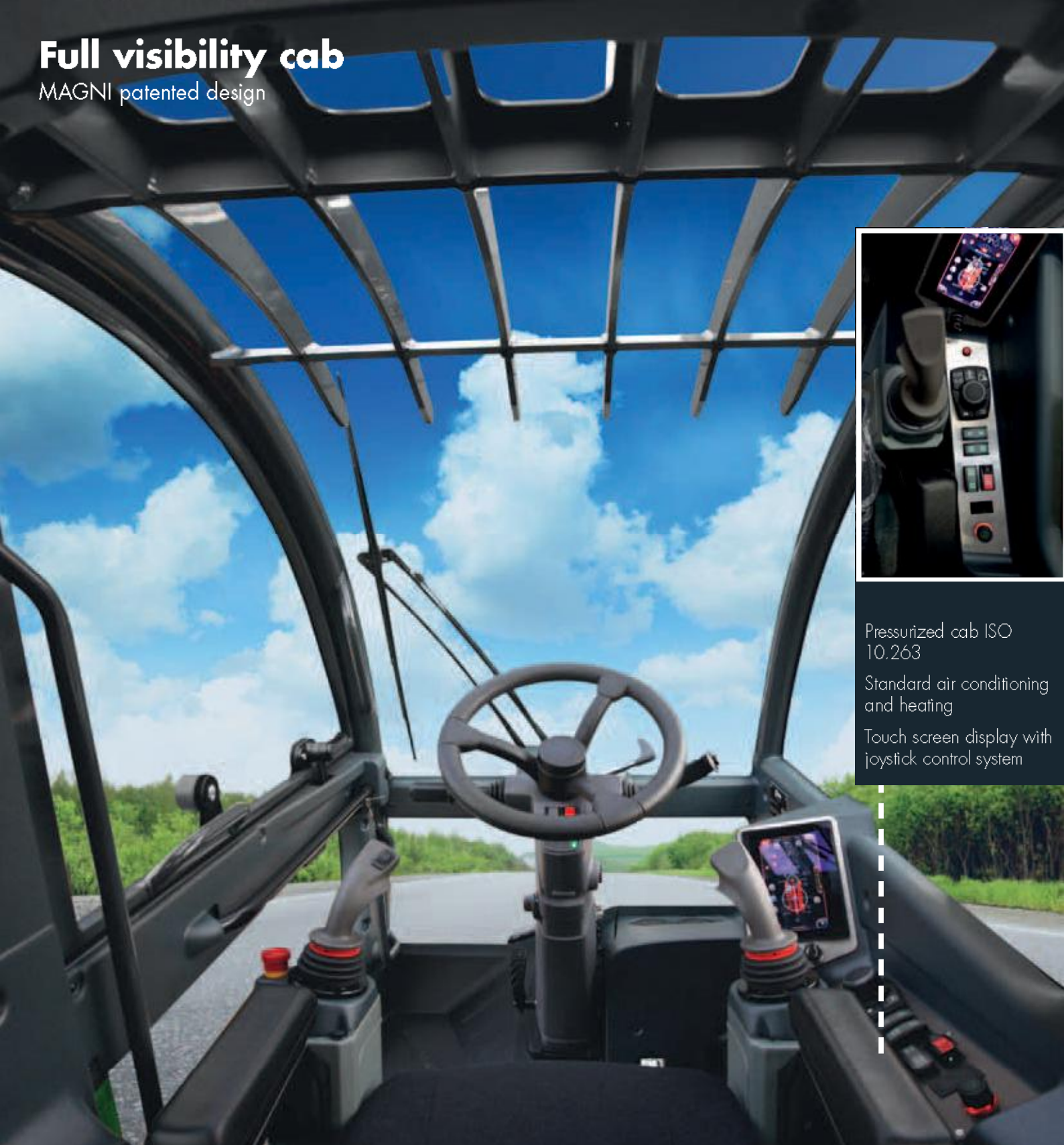


- Maximum lift capacity: 25 t at 900 mm load center
- Maximum lifting height: 10,85 m
- Maximum reach: 6,29 m
- Mercedes engine: 150 KW - 201 HP
- Electronically controlled hydrostatic transmission

**HTH25.11**

# Full visibility cab

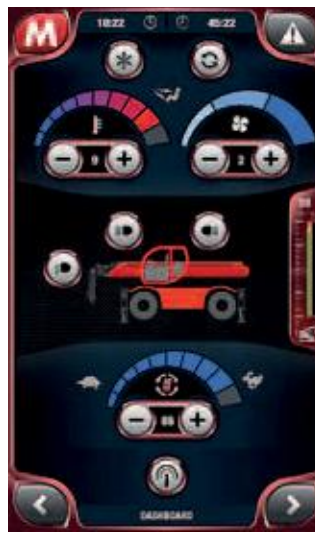
MAGNI patented design



Pressurized cab ISO 10.263

Standard air conditioning and heating

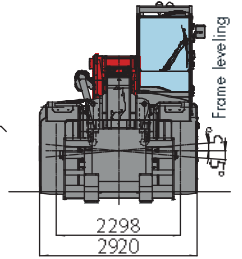
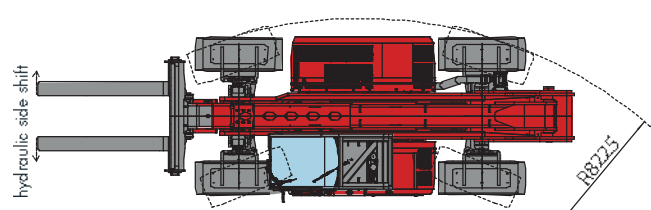
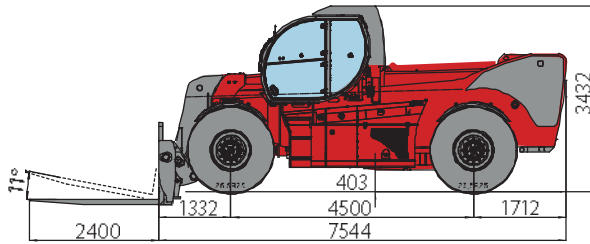
Touch screen display with joystick control system



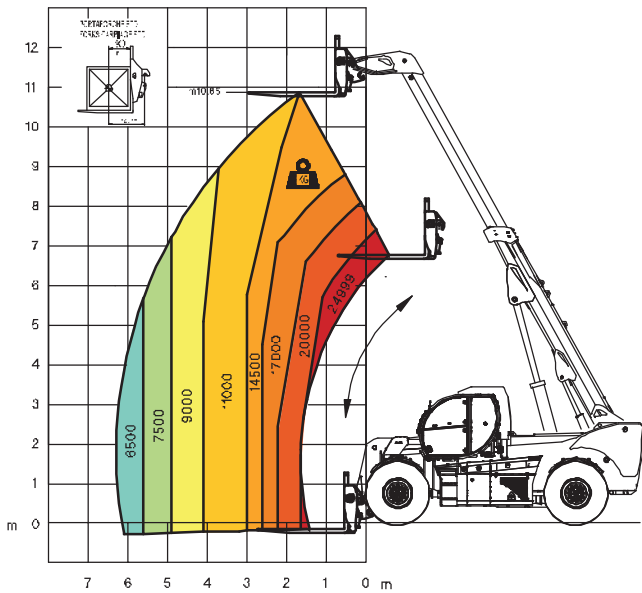
From the left:

- Travelling mode screen
- Load Moment Indicator screen
- Air conditioning management screen

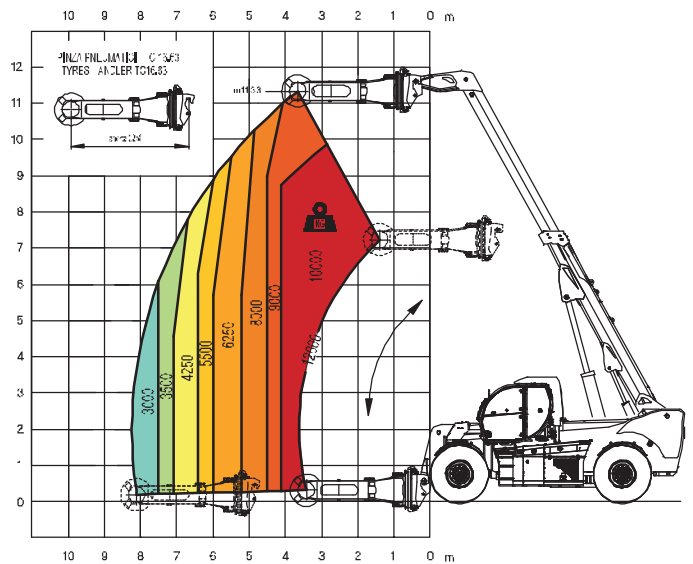
# HTH25.11



Load chart forcarriage with forks positioner



Load chart with tyres handler



Tyres handler, with a capacity up to 16.000 kg from 24 to 63 inches .

- MAGNI patented quick fit of the attachment
- Attachments automatic recognition RFID system



<b>LIFT CAPACITY</b>	24.999 Kg at 900 mm load center
<b>MAXIMUM LIFTING HEIGHT</b>	10,85 m
<b>MAXIMUM REACH</b>	6,29 m
<b>FORKS</b>	Fork carriage with forks positioner device 2.170 mm width Forks 250 x 100 x 2.400 mm
<b>CAB</b>	FOPS-ROPS tested hermetic cab with protectors Front, rear and upper wiper Headlights for road circulation, flashing beacon Rear view mirrors Heating - Air conditioning
<b>CONTROLS</b>	Multi-Function electro proportional joystick
<b>BRAKE SYSTEM</b>	Hydraulic servo-assisted multidisc brake in oil bath on both axles, with double circuit Negative parking brake
<b>ENGINE</b>	Mercedes OM 924.C72 LA Euro 4 Interim Turbo intercooler 4 cylinders / 4.800 cm <sup>3</sup> Power 204 HP – 150 KW Max rpm = 2.200 Max torque 800 Nm at 1.200 rpm Electronic injection (single pump each injector) Liquid cooling system
<b>AXLES</b>	Heavy Duty with 2-stage epicyclic reduction One steering cylinders each axle Levelling correction front axle at + 5° on the right and + 5° on the left 3 types of steering: - with front steering - with round steer - with crab steering Tilting rear axle
<b>PERFORMANCE</b>	Max. travel speed: 25 km/h Drawbar pull: 180 kn Gradeability: 30% Turning radius (end of forks): 9.150 mm
<b>WEIGHTS</b>	Total unladen: 32.500 kg Front axle unladen (boom retracted and lowered): 12.900 kg Rear axle unladen (boom retracted and lowered): 19.600 kg
<b>TRANSMISSION</b>	Rexroth hydrostatics Variable displacement hydrostatic pump 110 cc with electronic control One variable displacement hydrostatic motor Hydraulic gearbox with 2 speeds forward / reverse Differential hydraulic locking
<b>HYDRAULIC CIRCUIT</b>	Load sensing piston pump 75 cc 165 l/min Circuit at 350 bar Rexroth Proportional hydraulic distributor Suction and return line filters High pressure flexible hoses
<b>TANKS CAPACITIES</b>	Engine oil = 16 l Colling liquid = 25 l Hydraulic oil tank = 300 l Fuel tank = 300 l
<b>TYRES DIMENSIONS</b>	26,5 - R25 ** two each axle, driving and steering
<b>SAFETY</b>	Electronic safety system which controls the load with definition of the lifted load, radius and comparison with the diagrams stored. Block of aggravating movements of the load. Safety valves on cylinders

The data in this brochure are informative and subject to change without notice